

100V 115/120V 230/240V



GENERAL INFORMATION

The ETC ColorSource Spot brings together the affordability of a four-color light engine with the build-quality and support of an ETC product. Using a unique mix of red, green, blue and lime LED emitters, the ColorSource spot allows for an amazing range of color and depth, unlike other low-cost LED fixtures. Because it utilizes standard ETC optics, adapters and accessories, it is a versatile solution for any lighting need.

APPLICATIONS

- Houses of worship
- Universities and schools
- Hospitality
- Retail
- Exhibition centers
- Meeting rooms
- Clubs
- Cafeteriums

PRODUCT FEATURES

- ETC's new RGB-L array (Red, Green, Blue and Lime)
- Simple user interface with seven-segment display
- PowerCon in and thru
- DMX/RDM in and thru (5-pin XLR or RJ45)
- LED droop compensation
- Optically calibrated
- Tour-ready, aluminum housing

ORDERING INFORMATION

ColorSource Spot Light Engine with Shutter Barrel

(For use with fixed-field lens tubes only)

MODEL	DESCRIPTION
CSSPOTS-0	ColorSource Spot with shutter barrel, black
CSSPOT45S-0	ColorSource Spot RJ45 with shutter barrel, black

ColorSource Spot Light Engine Body

(For use with zoom lens tubes and adapters and for retrofit of existing fixtures)

MODEL	DESCRIPTION
CSSPOT-0	ColorSource Spot, body only, black
CSSPOT45-0	ColorSource Spot RJ45, body only, black

Color options: -1 = white, -5 = silver gray/custom colors

Fixture ships with a soft-focus diffuser in a gobo holder and a 1.5m PowerCON™ power-input cable with a connector of choice. See page 2 for connector options.

Please note: Lens tubes to be ordered separately.



SPECIFICATIONS

GENERAL

- ETL Listed to UL1573: the standard for stage and studio lighting units
- IP20-rated for indoor use
- Power and DMX in/thru connections for easy setup
- Simple seven-segment, three-button interface with easy access to 12 customizable presets and five sequences

PHYSICAL

- Rugged, die-cast, all-metal housing
- Available in black (standard), white, silver or custom colors (contact factory)
- C-clamp included
- Positive-locking double-clutch fixture body
- Slot for glass or stainless steel patterns and soft-focus diffuser
- Wide accessory slot with sliding cover for motorized pattern devices or optional iris
- Hanging yoke standard. Optional yoke/floor-stand available

ELECTRICAL

- 100VAC to 240VAC 50/60Hz universal power input
- PowerCon power in and thru connections
- Up to nine ColorSource Spot fixtures (15A max) may be linked via power thru connector (10 ColorSource Spot luminaires total per circuit) when used with R20 Relay Module or Unison Echo™ Relay Panel
 - Consult breaker-trip curves when used with other equipment. Requires power from a non-dim source
- Inrush
 - 120V: 28A (First half-cycle)
 - 240V: 46A (First half-cycle)

LED*

- 20,000-hour LED life (20,000 hours to 70% intensity)
- 60 Luxeon® Rebel LED emitters

*See additional LED notes on page four

COLOR

- Exclusive RGB-L color array
- Brightness and color range unlike any other four-color system.
- Optical calibration for consistency from fixture to fixture
- Droop compensation for consistent output and color accuracy

OPTICAL

- Use the included soft-focus diffuser for creating washes or soft light
- Best performance using ETC's EDLT lens tubes
- Can use all ETC Source Four® interchangeable lens barrels: 5°, 10°, 14°, 19°, 26°, 36°, 50°, 70°, and 90° field angles, as well as 19°, 26°, 36°, and 50° EDLT lenses
- For better performance, use the LED 50° barrel
- Can be used with Source Four LED CYC and Fresnel adapters

CONTROL

- Available with DMX512 in and thru via five-pin XLR or RJ45 connectors
- Simple RGB control (IRGBS profile)
- See DMX Control Table for additional information
- 15-bit virtual dimming engine provides smooth, high-quality theatrical fades and minimizes color shift during dimming
- RDM functionality for address and setting change
- Local control of presets (12) and sequences (5)

SPECIFICATIONS

THERMAL

- Ambient operating temperature of 32° to 104°F (0° to 40°C)
- Active electronic thermal management for droop-free operation
- Quiet fan cooling
- Fixture is designed for continuous operation up to 104°F (40°C) ambient temperature and requires free flow of air around fixture housing

ADDITIONAL ORDERING INFORMATION

Power Input Cables

Use information below to order 5' power input leads with factory-fitted connectors

MODEL	DESCRIPTION
DPA-A	5ft PowerCon to parallel blade U-ground (Edison) connector
DPA-B	5ft PowerCon to 20A two-pin and ground (stage pin) connector
DPA-C	5ft PowerCon to grounded 20A twistlock connector
DPA-X	5ft PowerCon to bare-end power input lead

Power Thru Jumpers

Note: Power thru jumpers connect to fixture's output (thru) connector to provide link to successive fixtures

MODEL	DESCRIPTION
DPJ-5	5ft PowerCon-to-PowerCon fixture-to-fixture jumper
DPJ-10	10ft PowerCon-to-PowerCon fixture-to-fixture jumper

Diffusers

MODEL	DESCRIPTION
S4LED-SFD	Source Four LED - Soft Focus Diffuser (included)
S4LED-SWD6	Source Four LED - Smooth Wash Diffuser for 6.25in gel frame slots
S4LED-SWD7	Source Four LED - Smooth Wash Diffuser for 7.5in gel frame slots
S4LED-SWD12	Source Four LED - Smooth Wash Diffuser for 10° lens tubes
S4LED-SWD14	Source Four LED - Smooth Wash Diffuser for 5° lens tubes

The Soft Focus Diffuser fits into a standard A-size pattern holder and delivers beautiful, homogenized light when not in sharp focus. Also, use with patterns for dappled and soft-edge projections.

The Smooth Wash Diffuser is used when extra-smooth blending of multiple ColorSource Spot luminaires is required. The smooth wash diffuser is placed into the gel-frame slot of the lens tube.

RJ45 to XLR Adapter Cables

MODEL	DESCRIPTION
W6538	RJ45 to female five-pin XLR adapter (6ft)
W6539	RJ45 to male five-pin XLR adapter (6ft)

PREFERRED LENSING OPTIONS

(Lenses sold separately)

Fixed Beam Lenses

MODEL	DESCRIPTION
LED50LT	LED-specific 50° EDLT with lenses installed
LED50LT-1	LED-specific 50° EDLT (white) with lenses installed
436EDLT	36° EDLT w/lens installed
436EDLT-1	36° EDLT (white) w/lens installed
426EDLT	26° EDLT w/lens installed
426EDLT-1	26° EDLT (white) w/lens installed
419EDLT	19° EDLT w/lens installed
419EDLT-1	19° EDLT (white) w/lens installed
490LT	90° w/lens installed
490LT-1	90° (white) w/lens installed
470LT	70° w/lens installed
470LT-1	70° (white) w/lens installed
414LT	14° w/lens installed
414LT-1	14° (white) w/lens installed
410LT	10° w/lens installed
410LT-1	10° (white) w/lens installed
405LT	5° w/lens installed
405LT-1	5° (white) w/lens installed

Zoom Lens Assemblies

Use with light-engine body models.

MODEL	DESCRIPTION
41530LT	Source Four 15-30° Zoom lens assembly
42550LT	Source Four 25-50° Zoom lens assembly

LED Adapters

MODEL	DESCRIPTION
S4LEDCYC	Source Four LED CYC
S4LEDFRES	Source Four LED Fresnel

Power Consumption With RGB at full

MODEL	VOLTAGE (V)	CURRENT (A)	MAX POWER (W)
ColorSource Spot	100	1.48	148
	120	1.24	147
	230	0.65	141

ADDITIONAL ORDERING INFORMATION

Fixture Accessories

MODEL	DESCRIPTION
400CC	C-Clamp (included)
400SC	Safety Cable
400PH-A	Pattern holder (A size)
400PH-B	Pattern holder (B size)
400PH-G	Glass pattern holder
400RS	Drop-In Iris
400CF	Color frame (6.25")
407CF	7.5in square color frame
400DN	Donut
400TH	Top Hat
400HH	Half Hat
DPSJ-X	25ft PowerCon to Edison input power cable with inline switch

NOTES ABOUT LED LUMINAIRES

All LED sources experience some lessening of light output and some color shift over time. LED output will vary with thermal conditions. Based on the LED manufacturer's B50 L70 specification, a ColorSource Spot luminaire will achieve ~70% of its initial output after 20,000 hours of typical usage. In individual situations, LEDs will be used for different durations and at different levels. This can eventually lead to minor alterations in color performance, necessitating slight adjustments to presets, cues or programs.

PHOTOMETRY

See ColorSource Spot Photometry Guide available at www.etconnect.com

PHYSICAL

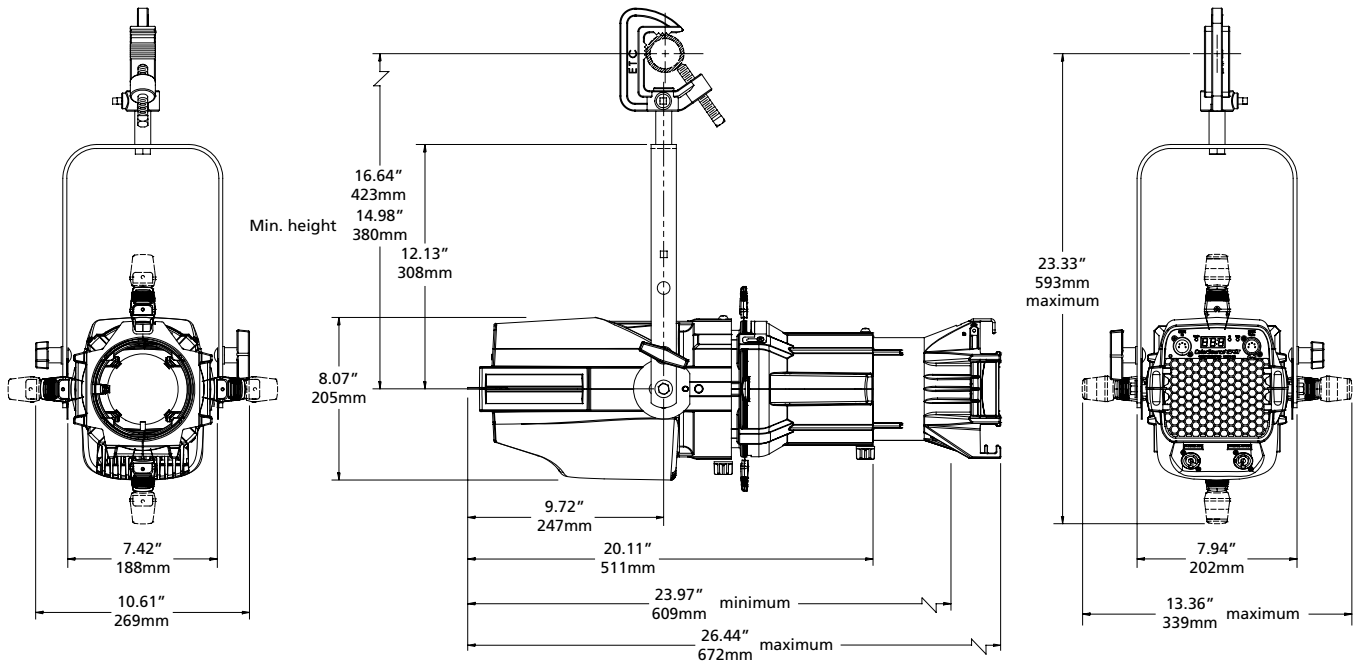
ColorSource Spot Weights

	WEIGHT*		SHIPPING WEIGHT	
	lbs	kgs	lbs	kgs
With Barrel	17	7.7	22	10
Without Barrel	13	5.9	16.3	7.4

* Does not include mounting hardware or lens tube

ColorSource Spot Dimensions

	HEIGHT		WIDTH		DEPTH	
	in	mm	in	mm	in	mm
ColorSource Spot	23.33	593	13.36	339	26.44	672



Corporate Headquarters • 3031 Pleasant View Rd, PO Box 620979, Middleton WI 53562 0979 USA • Tel +1 608 831 4116 • Fax +1 608 836 1736

London, UK • Unit 26-28, Victoria Industrial Estate, Victoria Road, London W3 6UU, UK • Tel +44 (0)20 8896 1000 • Fax +44 (0)20 8896 2000

Rome, IT • Via Pieve Torina, 48, 00156 Rome, Italy • Tel +39 (06) 32 111 683 • Fax +44 (0)20 8752 8486

Holzkirchen, DE • Ohmstrasse 3, 83607 Holzkirchen, Germany • Tel +49 (80 24) 47 00-0 • Fax +49 (80 24) 47 00-3 00

Hong Kong • Room 1801, 18/F, Tower 1 Phase 1, Enterprise Square, 9 Sheung Yuet Road, Kowloon Bay, Kowloon, Hong Kong • Tel +852 2799 1220 • Fax +852 2799 9325

Web • www.etconnect.com • Copyright©2015 ETC. All Rights Reserved. All product information and specifications subject to change. 7413L1001 Rev. A USA 07/15

U.S. and international patents pending.