

AUDICO AVECG2

ALT 8x8 G2 Line Transfer Unit

DIGITAL SOUND REPRODUCTION AND VOICE EVACUATION SYSTEM



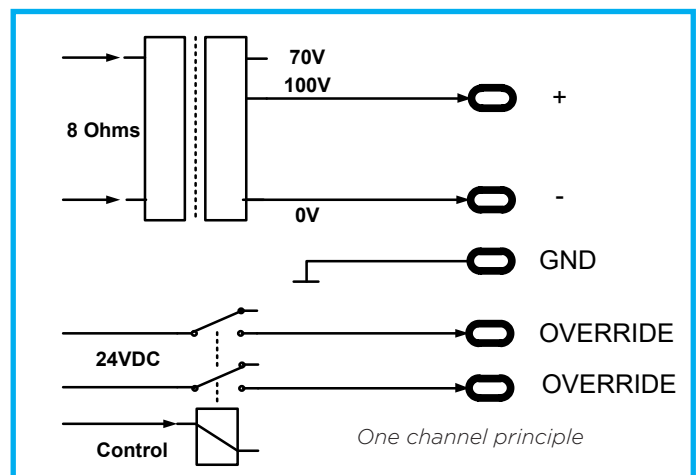
Avec G2 is Audico's sound reproduction and voice evacuation system in an effective and compact unit. Avec is an optimal system for a multitude of sound reproduction needs - background music, public address and voice evacuation in all public buildings. Thanks to being digital, the sound quality, efficiency, and flexibility of the systems are excellent.

The ALT 8x8 is a line transfer unit for Audico Avec public address and voice evacuation system. It converts ADA 8x8 central units' low impedance (8 Ohms) outputs to 70-100V lines. The ALT contains 8 separate transformers, each having 8 Ohms primary coil and secondary coil with tapings for 70 and 100V (factory setting).

ALT also delivers the 24VDC priority voltage for attenuators' bypass relays, use of priority voltage ensures the important message is heard everywhere inspite of the current position of the volume setting. Output lines can be connected parallel to increase the power delivered to a single line.

TECHNICAL FEATURES

Operation voltage	24 VDC / 350mA (from ADA 8x8)
Inputs	Control data from ADA 8x8, RJ 45 cable
Outputs	8 pcs
Output power options:	- 120W / channel max. (all channels driven 8x80W RMS) -240W /2 channels combined (locked mode) -320W /4 channels combined (locked mode)
Output voltage	70 - 100V Factory setting 100V
Priority voltage	24VDC or 0V, max 300mA, if higher priority power is needed the ALT must be equipped with external power supply unit.
Dimensions	W x H x D 485 x 88 x 380 mm (2U)
Weight	net 13 kg, gross 14 kg



ALT 8x8 G2 Line Transfer Unit



LOW IMPEDANCE INPUTS

The ALT 8x8 is designed to be installed between the ADA 8x8 central unit and high-impedance loudspeaker network. ALT converts the ADA's 8 Ohms output signals to 70V or 100V lines. The loudspeaker load connected to a single ALT output line should not exceed 120W. Minimum impedance of speaker network connected to a single output should not be lower than: For 70V lines 41 Ohms and 100V lines 83 Ohms.

24VDC OPERATION VOLTAGE

The ALT 8x8's operation voltage is 24V, the ADA 8x8 has a separate output for the ALT supply. Limitation: If a large number of priority relays are connected to ALT 8x8 and the required current is more than 300mA, then the ALT should be equipped with external 24VDC power supply unit capable to supply the current. Audico priority relays take only 8mA each.

CONTROL INPUT

The priority relay outputs are controlled by ADA 8x8 central unit. The relay data is sent to the ALT through standard RJ45 cable.

SPEAKER LINE OUTPUTS 70/100V

ALT 8x8 has 8 loudspeakerline outputs. The maximum output power is 120W for each line. The voltage tapping can be changed inside the unit at corresponding tran former. The unit is delivered set to 100V output voltage. There is also the 24VDC priority voltage for each line. The voltage is active during paging and emergency. It may be also configured as fail-to-safe priority voltage, then relays are active when no voltage is present (active: 0V). Each output has a +/- signal pin and ground pin. The OVERRIDE pins gives priority voltage for each line sep rately.

AEU 100 LINE END UNIT

In systems built according to the EN 54-16 standard the loudspeaker lines should be equipped with AEU 100 line ends units. Use of AEU 100 units improves the system surveillance circuits operation and prevents possible false alarms in case the air pressure and humidity changes. The AEU 100 is installed next to the last loudspeaker in a speaker line.

LOCKED AMPLIFIER OUTPUTS

The basic ADA 8x8 and ALT 8x8 combination has 8 pcs of 120W output lines. If higher power for a single line is required the ALT outputs may be connected parallelly. In such case the parallel connected outputs must be marked as a locked group in the Avec configuration file. This ensures all connected channels are feeding exactly the same audio signal to the outputs. The line voltage (70- 100V) must also be the same in all lines connected together. The outputs 1-4 can be connected together as well outputs 5-8 when output power is 320W.

Standards and requirements

The product is Rohs-compliant, it is tested and approved by SGS Fimko for all relevant safety and electromagnetic compatibility standards (EMC). The ALT 8x8 is certified and compliant to EN 54-16 and EN 60945 as a part of the Audico Avec family product range. Product recycling according to WEEE regulations.

Standards also set guidelines for the users of the installed systems. The main user must take care of regular system maintenance, testing, keep a logbook and ensure all other users are well trained to use the system. We have prepared a booklet guiding the user as well installation and service parties to set-up and run a voice evacuation system according to the standards.



EMC ELECTRO
MAGNETIC
COMPATIBILITY



Audico code N12530

FI enumber 7931017

EAN-code 6430029191023

 **AUDICO**
TECHNOLOGY

Audico Technology Oy
Rautatehtaankatu 22, 20200 Turku, FINLAND
tel: +358 (0)20 747 9340 | info@audico.fi | www.audico.fi